

Assembly guide floor fixing On Point.



OFFECCT



Designer Mattias Stenberg

“On Point is designed to allow full contact between up to eight people around it, while it’s also perfect for more private and intimate gatherings among a few individuals. It’s also a way of creating a micro architecture in the room, with the tree’s natural ceiling that makes us feel pleasantly enraptured and comforted”, says Mattias Stenberg.

Floor fixing and electrical outlet clearance

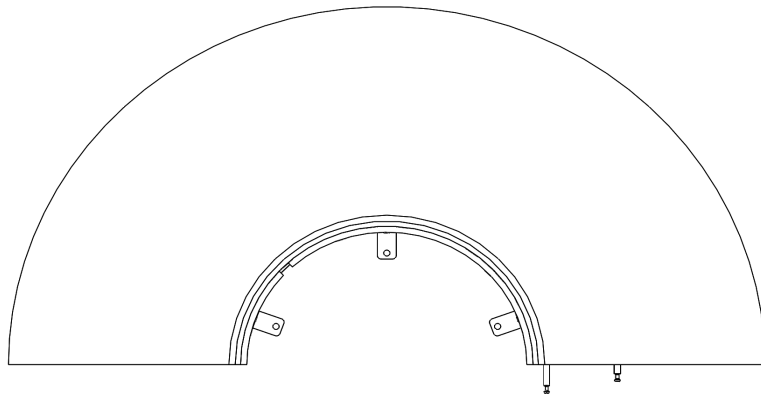
This note is a complement to the Offecct On Point installation instruction. To be used as a guideline when using floor fixing components and description on where electrical outlets in floor may be positioned.

Important:

- Offecct takes no responsibility for the electrical installation. We recommend to use a local certified electrician.
- If using a plant, placed inside the table, make sure the plant stands clear from the outlet. Offecct takes no responsibility for the total installation.

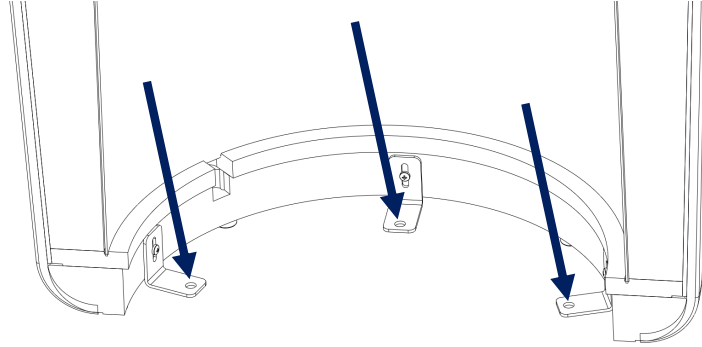
Place half of the On-Point table, with attached brackets (3pcs), at your desired location. Make sure to level the table.

1



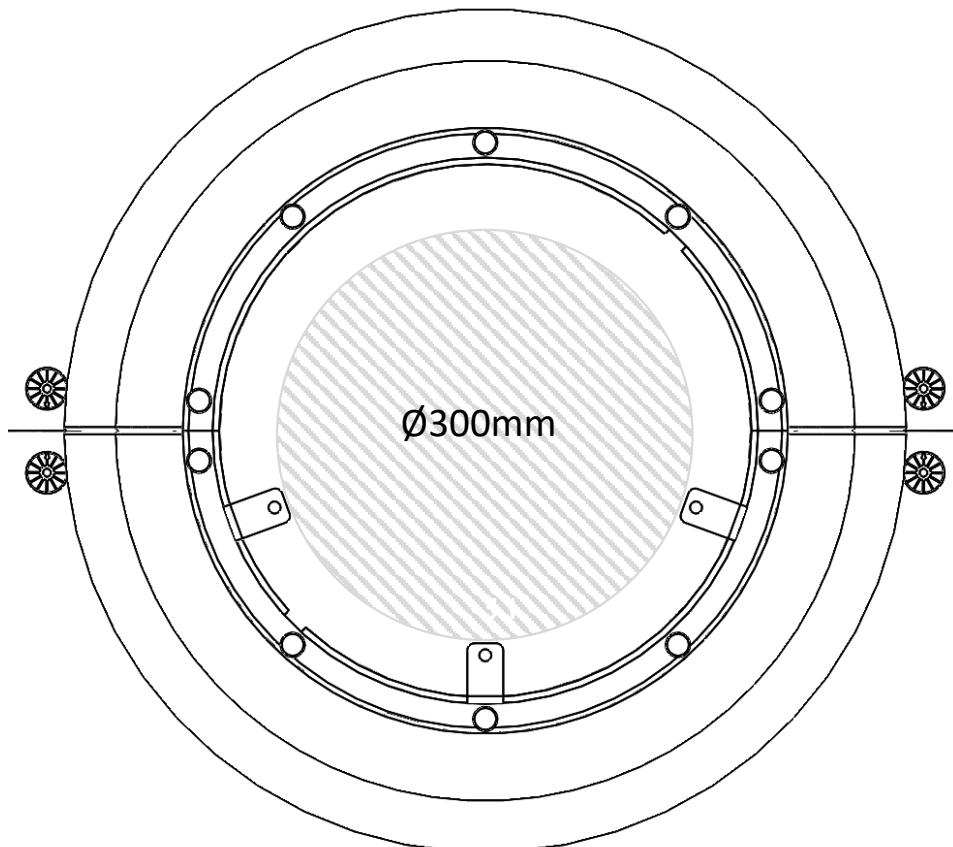
- 2.1 Loosen the screw at each floor bracket and push the bracket onto the floor.
- 2.2 Tighten the screw again.
- 2.3 Mark the center of each floor bracket in the floor and use suitable method, advised by a local carpenter, to fasten the brackets into the floor.

2



If to place an electrical outlet in the floor, under the table, the outlet needs to be placed inside the $\text{Ø}300\text{ mm}$ circle, shown below to avoid interference with the base of the table.

3



Enjoy your new On Point table H900 & H1100.

For more information visit our website; www.offecct.com/family/on-point/

or contact our support at support@offecct.se or +46 504 415 00.

Welcome to Offecct!



Offecct AB, SE-543 21 Tibro, Sweden
+46 504 415 00, offecct.com