

# Assembly guide

On Point H900 & 1100.



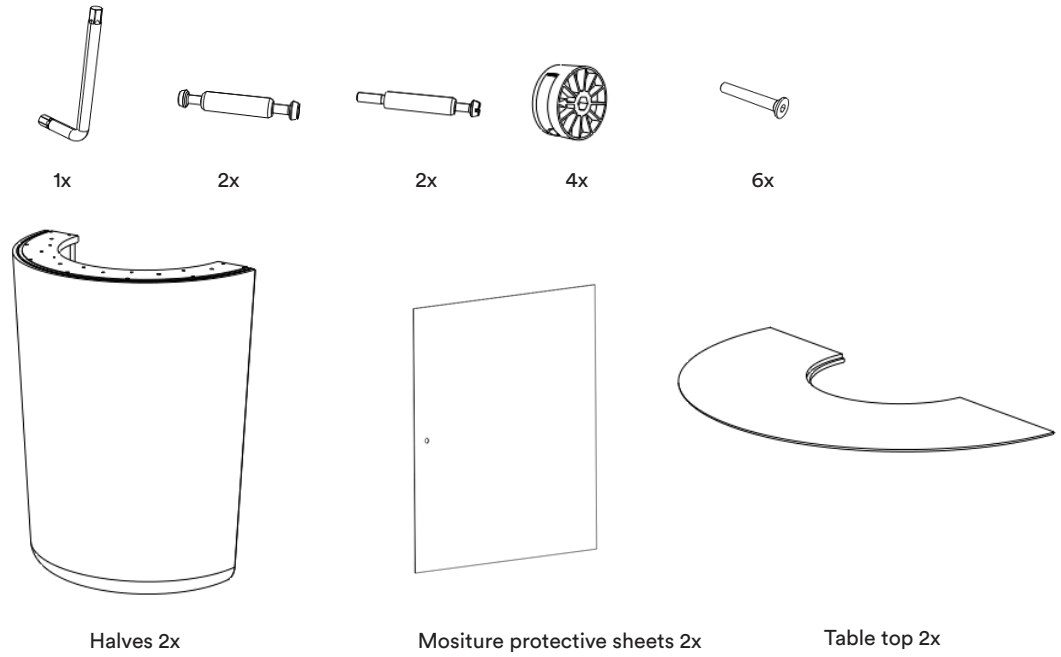
OFFECCT



Designer Mattias Stenberg

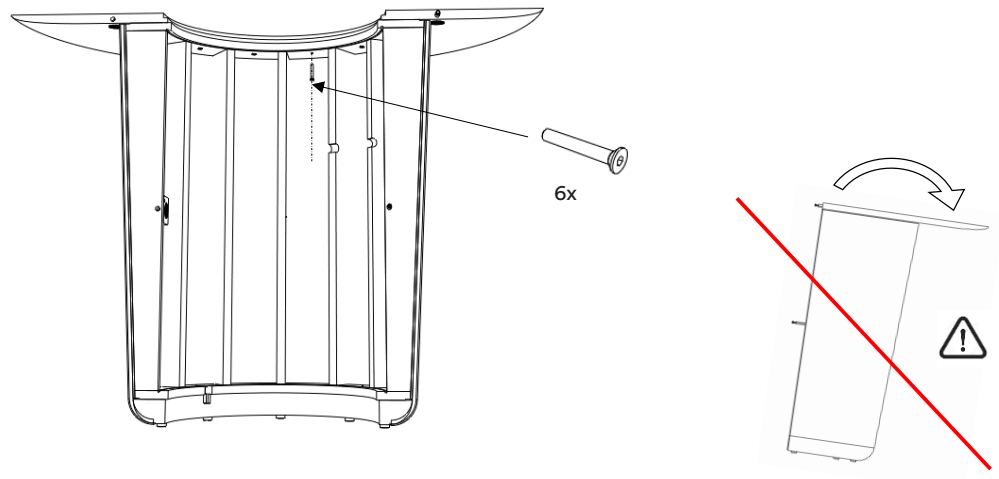
“On Point is designed to allow full contact between up to eight people around it, while it’s also perfect for more private and intimate gatherings among a few individuals. It’s also a way of creating a micro architecture in the room, with the tree’s natural ceiling that makes us feel pleasantly enwrapped and comforted”, says Mattias Stenberg.

**Parts In Package , Quantities According To Packing Note.**



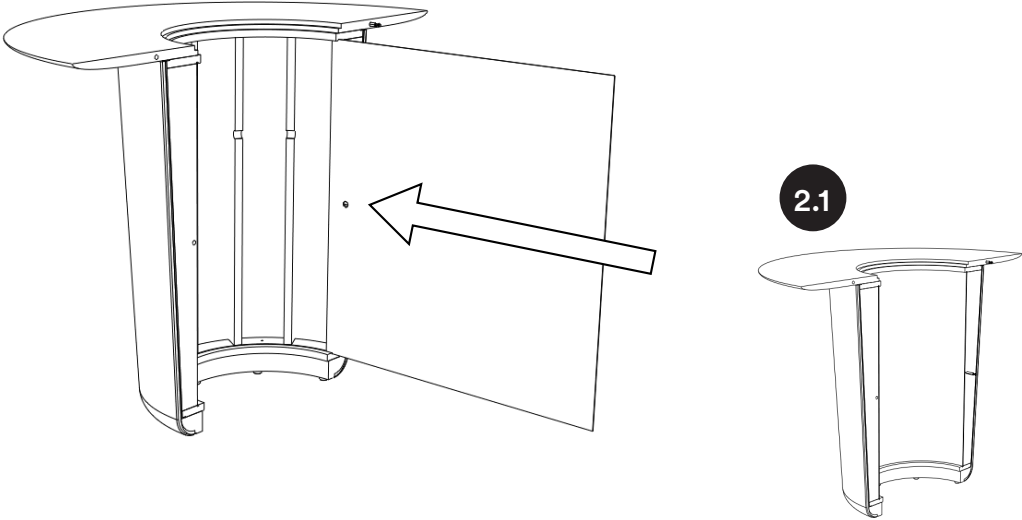
1

**Assembly of the table top.**



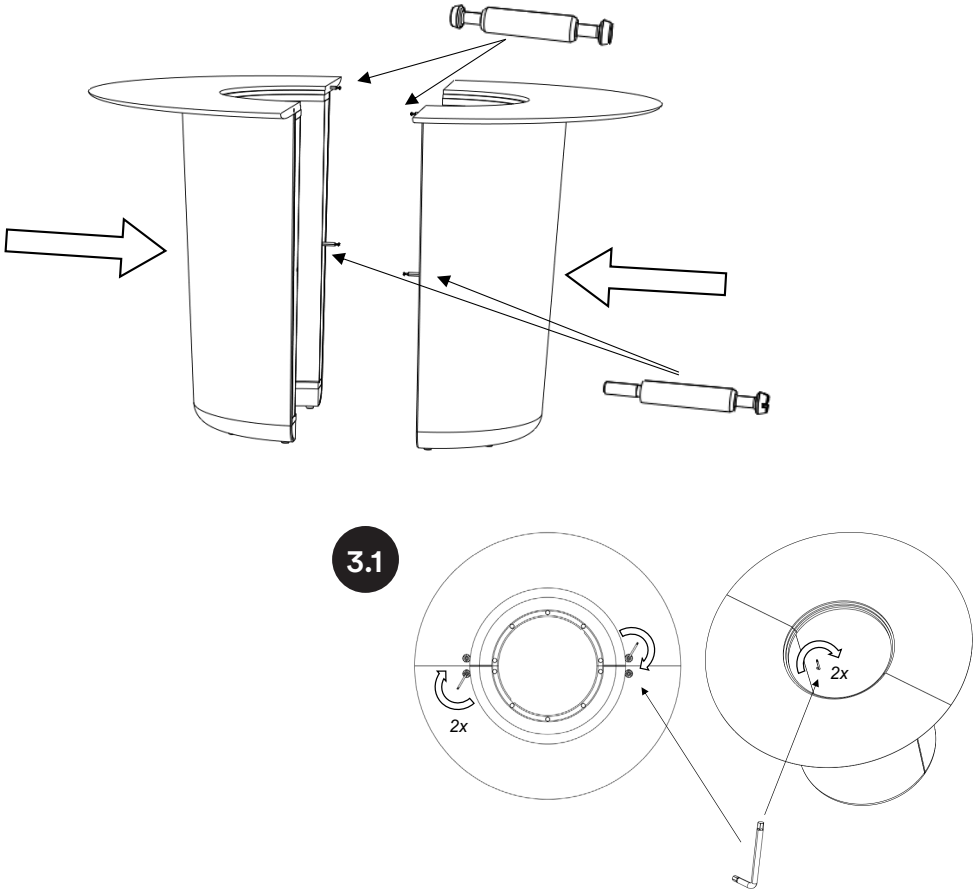
2

Assembly of moisture protective sheets.



3

Assembly of halves step.



Enjoy your new On Point table H900 & H1100.

For more information visit our website; <https://www.offecct.com/product/on-point-high/>

or contact our support at support@offecct.se or +46 504 415 00.

Welcome to Offecct!



Offecct AB, SE-543 21 Tibro, Sweden  
+46 504 415 00, offecct.com